

The SG-B louvre window is suitable for natural ventilation or natural smoke (NSHEV) applications. Supplied with single glazed bevel edged blades for flush finish, and non-insulated/non-thermally broken frames, the SGB is suitable for use in non-insulated areas such as winter gardens.

- For natural or natural smoke (NSHEV) applications.
- Single glazed.
- 30 degree bevel edged blades for a flush external appearance.
- Point fixed, all glass blades (frameless).
- 60mm 'heavy duty' frame depth.
- For installation in vertical facades
- Non-thermally broken and non-insulated frames.
- Standard with 64° opening angle, up to 90° if required.



EN12101-2 certified



Contact for project specific technical details

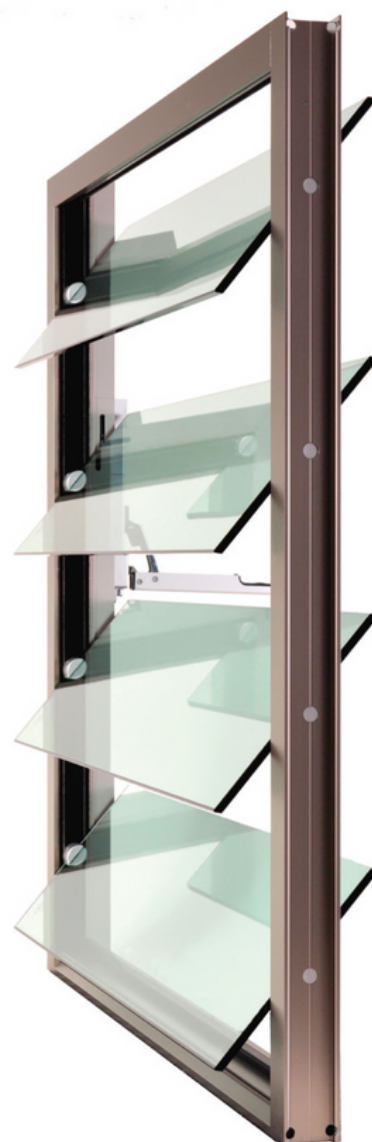


See below for framing and motor types



Frameless single glazed blades

	SGB-60 Certifications & Test Data
Frame Depth	60mm (+25mm on driven side)
Glazing Types	Single glazed panel
Frame Width	38mm
Unit Width	300-1800mm
Max Frame Height	Unlimited (sections)
Louvre Height	120-300mm
EN12101-2:2003	
Aerodynamic free area	Individual Calc.
Wind Load	WL 1500
Low Ambient Temperature	T (0)
Reliability Class	Re 1000
Snow Load	SL 0
Resistance to heat	B 300-E
EN14351-1	
Air Permeability (EN12207)	Not tested
Watertightness (EN12208)	Not tested
Wind Load Class (EN12210/12211)	Not tested
Durability (DIN EN 1191)	Class 3
Sound Reduction (DIN EN ISO 717-1)	Not tested





SGB-60

Construction

- Louvre windows for installation in vertical facades
- Non-thermally broken frame and blade profiles manufactured from extruded aluminium.
- Louvre blades consist of point fixed, single glazed, all glass panes.
- 30 degree bevel edged blades for a flush external appearance.
- Louvre windows consist of one or more stacked louvres, which open on a central pivot. As a rule, the axis of rotation is in the middle of the louvre, but can also be modified up to 1/3 - 2/3 after technical clarification
- Standard with 78° opening angle, up to 90° if requested.

Profile Dimensions

- Frame depth: 60 mm
- Frame view width: 38 mm

Seals

- Silicone frame seal.
- Horizontal profile joints with brush and felt seal.

Fixings

- All unit fittings are concealed
- Made of corrosion-free or galvanised materials

Finishes

- Profiles can be anodised, powder coated or wet paint coated in RAL or special colours.
- Standard PPC to 40 Microns unless otherwise stated.

Applications

- Natural ventilation
- NSHEV certified to DIN EN 12101-2 for natural smoke ventilation
- For installation in vertical facades (further applications after technical clarification) .

Size Range

- Minimum frame width: 300mm
- Maximum frame width: 1800mm
- Units exceeding maximum width will be supplied as 2 units, joining together on site,
- Slat height variable: 120- 300mm

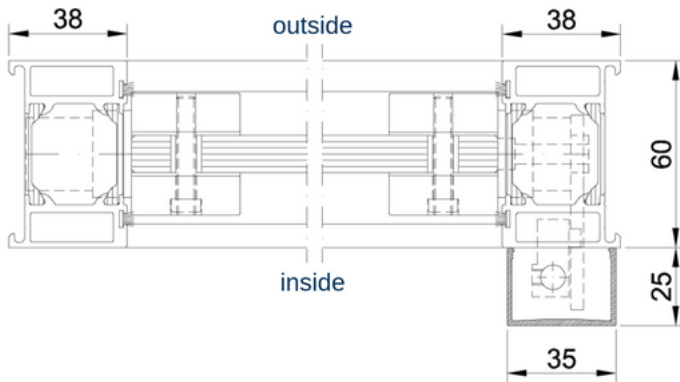
Control Option	Notes
Manual Hand Lever	
Articulated Crank Rod	
230V AC	
24V DC	Suitable for NSHEV (EN12101-2)
24V DC with SK3 anti-trapping	Suitable for NSHEV (EN12101-2)
24V DC with SK3 anti-trapping & 10 year battery backup for auto close/open	Suitable for NSHEV (EN12101-2)
Pneumatic Cylinder	Suitable for NSHEV (EN12101-2)



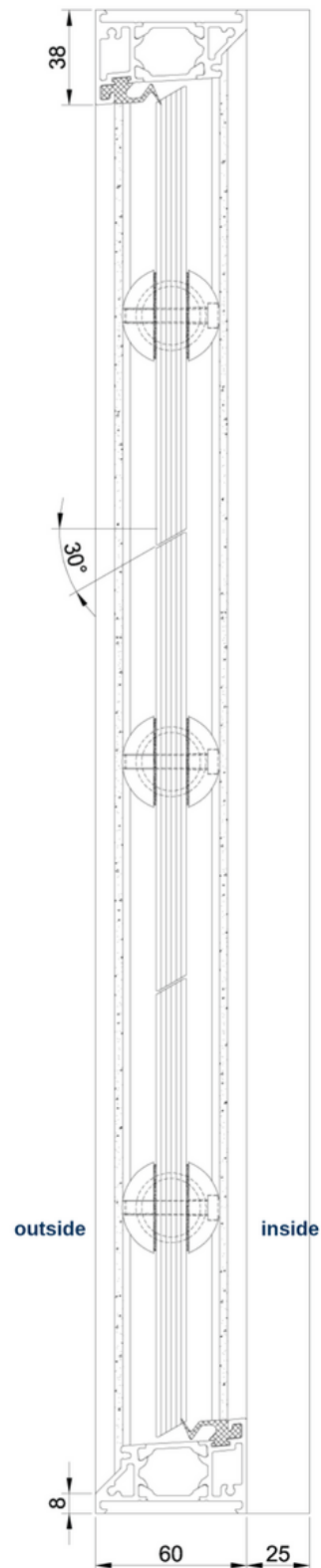
Framing Options

Our SGB-60 range is available with a number of different control and framing options to suit most applications. Bespoke options are available.

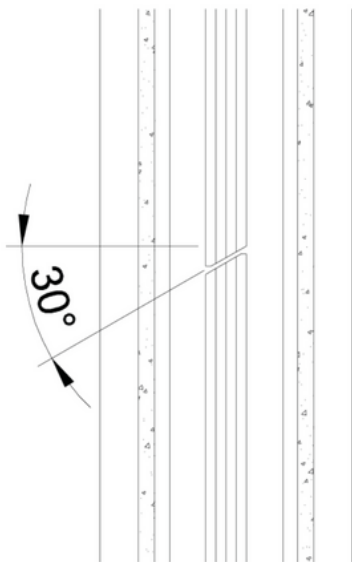
Standard framing



Vertical Section (no motor shown)



Blade Joint Detail



[Bespoke framing options are available, please contact head office for further information.](#)